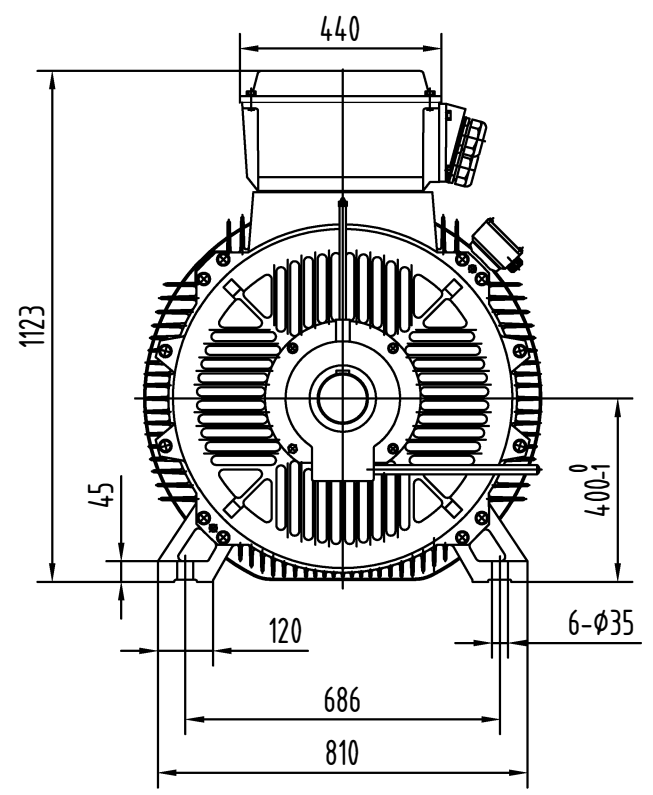
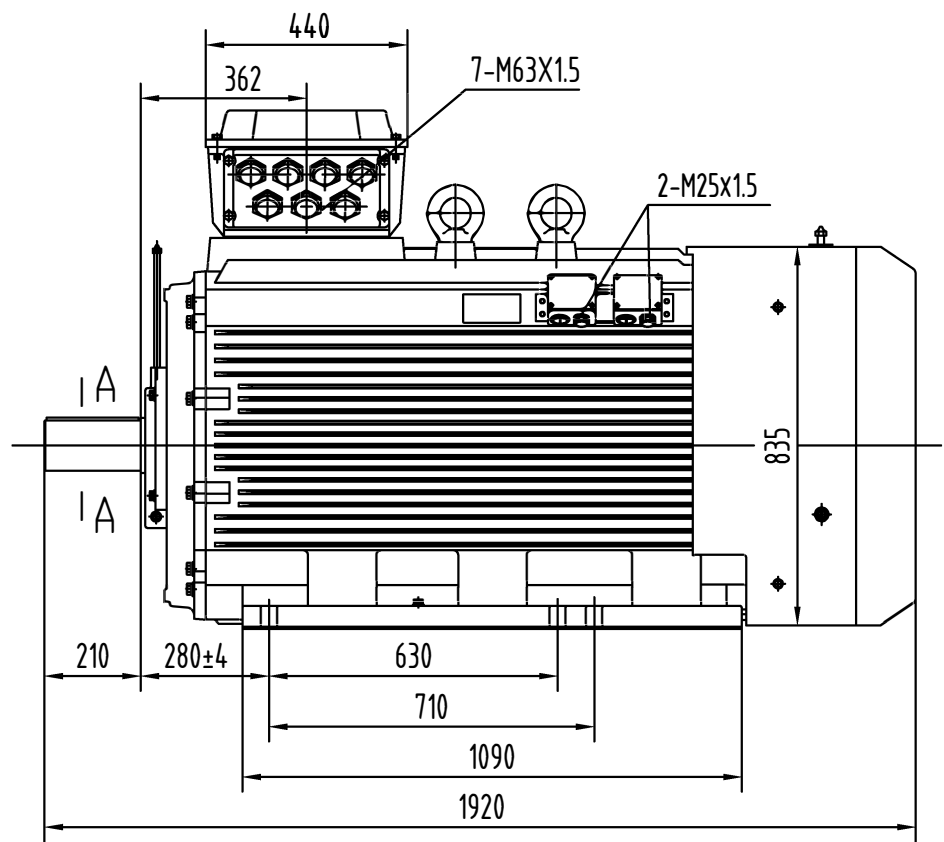
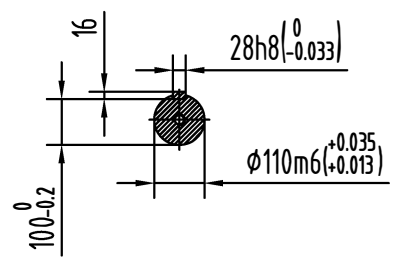


OUTLINE



A - A



						OUTLINE			Y2-400-4~10	
Mark	No.	Zone	Changed file No.	Signature	Data					
Design			Standard			Sign	Weight	Scale		
Check								1:16		
Auditing										
Technics			Approvil			Total page		page No.		

